

TECHNICAL FEATURE

FEATURES

- Space Qualified
- 4.93 - 5.15 GHz
- 2 x 4 - Way

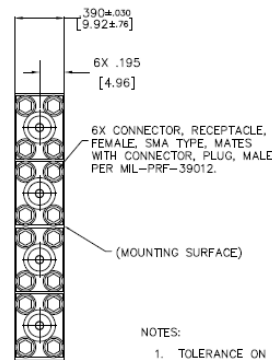
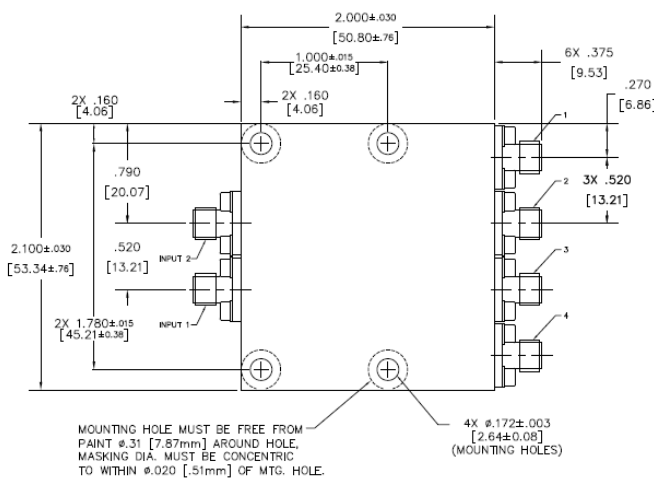
PRINCIPAL SPECIFICATIONS

| Model Number | Frequency Range GHz | Isolation dB Min. | Insertion Loss, dB Max. | Phase Balance Max. | Amplitude Balance dB Max. | VSWR Max. | | CW Input, W, Load VSWR out 1.2:1 | Weight Max. |
|---------------|---------------------|-------------------|-------------------------|--------------------|---------------------------|-----------|--------|----------------------------------|-------------|
| | | | | | | In | Out | | |
| PDM-241-5G SQ | 4.93 - 5.15 | 20 | 0.80 | 6° | 0.3 | 1.20:1 | 1.20:1 | 1 | 79 g. |

TECHNICAL DESCRIPTION / APPLICATION

The PDM-241-5G SQ In-Phase Power Divider covers 4.93 - 5.15 GHz. It uses a stripline design which provides high isolation and low VSWR. This unit has been designed, manufactured, and qualified per Merrimac document CENG-0001, "Standard Design Requirements for Space Qualified Devices."

PACKAGE OUTLINE



NOTES:

1. TOLERANCE ON 3 PLACE DECIMALS ±.020 [.51mm] EXCEPT WHERE NOTED.
2. MAX. IS LARGEST DIMENSION ALLOWED.
3. DIMENSIONS = INCHES [mm]
4. METRIC EQUIVALENTS ARE TO THE NEAREST .01mm
5. EXTERNAL FINISH:
EXTERIOR SURFACES: FLAT BLACK POLYURETHANE COATING AEROGLAZE Z306 (EXCEPT MOUNTING SURFACE TOP MOUNTING HOLE AREA AND AREA AROUND VENT HOLES AND VENT SLOT). MOUNTING AND UNPAINTED SURFACE FINISH: CHEMICAL FILM PER MIL-DTL-5541, CLASS 3. CONNECTOR FINISH: PASSIVATED.
6. WEIGHT: 2.79 OZ. [79g] MAX.