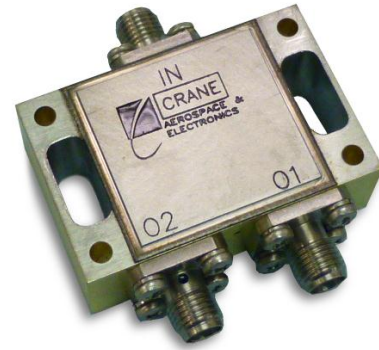


2-Way K Band Iso-Divider

TECHNICAL FEATURE

FEATURES

- Light Weight and Small Size
- Broadband
- Low Insertion Loss
- Extremely High Isolation
- Space Qualified
- Also available as an Iso-Combiner



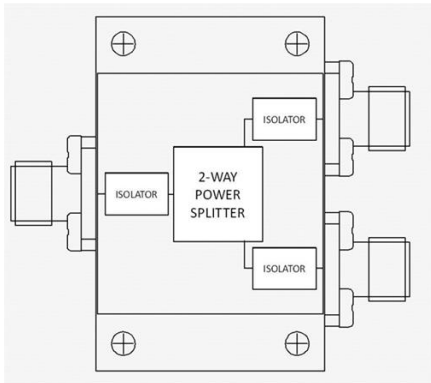
PERFORMANCE

Frequency.....	18.2 – 22.2 GHz
Return Loss (Input & Output).....	17.7 dB min
Isolation between Outputs.....	38 dB min
Insertion Loss (above 3.0 dB theoretical)	2.4 dB max
Phase Balance	±5 ° max
Power Handling	1 W max
Magnetic Emission	0.5 Am ² max
EMI Shielding.....	-80 dBc min
RF Connection Interface	SMA Female
Operating Temperature Range.....	-55 to +85°C
Package Size.....	1.86" X 1.81" X 0.54"

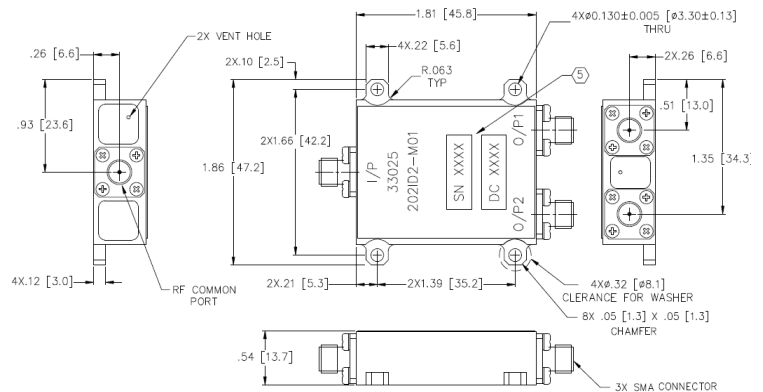
DESCRIPTION

The Iso-Divider product represents a marriage of Crane's Passive and Ferrite products. It is a higher isolation power divider which removes the need to additional components and connectors. Removing these components improved the reliability and allows the electrical performance to be enhanced.

This product provides the ability for a Satellite receiver or transmitter to share antennas in a redundant configuration. This is a critical function which demands low insertion loss and exceptional performance. Matching the power divider and isolator characteristics allows the best overall unit performance to be achieved.



Functional Diagram



Mechanical Outline

Crane Aerospace & Electronics
 Microwave Solutions – Signal Technology
 340 North Roosevelt Avenue, Chandler, AZ 85226
 +1.480.961.6269 • mw@crane-eq.com
www.craneae.com/mw

