

PDG & PDU-20-250 – 0° POWER DIVIDERS/COMBINERS

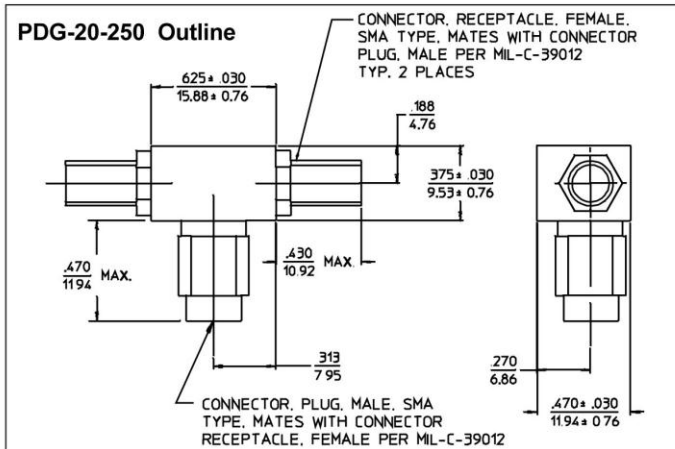
TECHNICAL FEATURE

FEATURES

- 5 to 500 MHz
- 2-way
- Ultra Miniature
- High Output Isolation
- Low Insertion Loss
- SMA

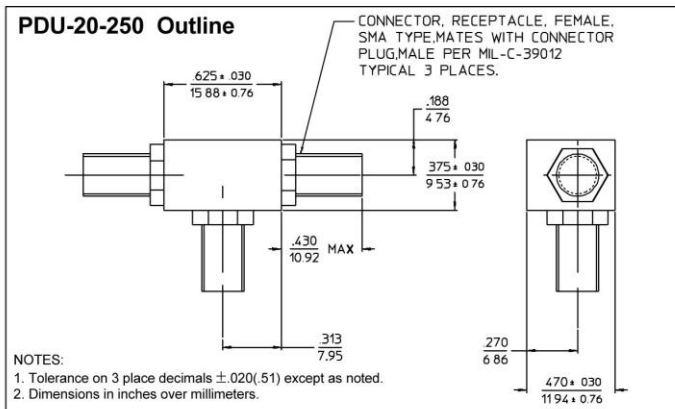
PRINCIPAL SPECIFICATIONS

Model Number	Frequency Range, MHz	Frequency Performance, MHz	Isolation, dB		Insertion Loss, dB		Phase Balance		Amplitude Balance, dB		VSWR In/Output	
			Min.	Typ.	Max.	Typ.	Max.	Typ.	Max.	Typ.	Max.	Typ.
PDU-20-250	5 - 500	5 - 500	25	30	0.7	0.5	2°	1°	0.2	0.1	1.35:1	1.2:1



GENERAL SPECIFICATIONS

Coupling:	– 3 dB nom.
Impedance:	50 Ω nom.
Internal Load Dissip.:	250 mW max.
CW Input Power:	1 Watt max (When used as divider with 1.2:1 VSWR _{out})
Weight, nominal:	0.32 oz. (9 g)
Operating Temperature:	– 55° to + 85°C



General Notes:

1. The PDG-20-250 and PDU-20-250 2-way Power Dividers/Combiners cover a broad frequency range from 5 MHz to 500 MHz using a special high performance lumped element design to reduce overall size.
2. These units are suited for connectorized applications where an ultra-miniature package is essential.

24May96