

FH-40001/40002/40003 0°/180° HYBRIDS

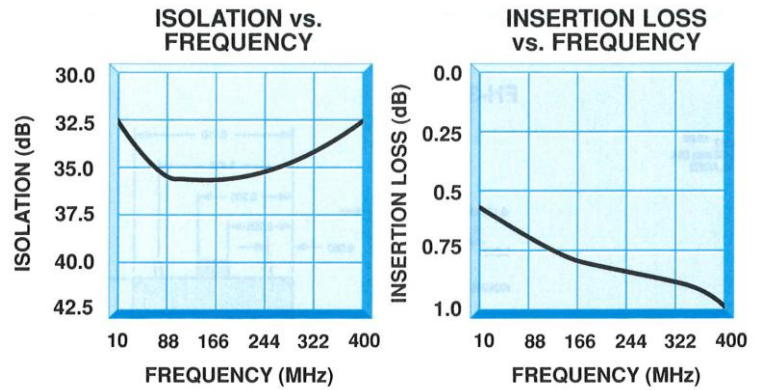
TECHNICAL FEATURE

FEATURES

- 10 to 400 MHz

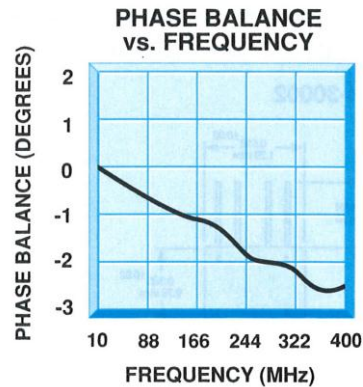
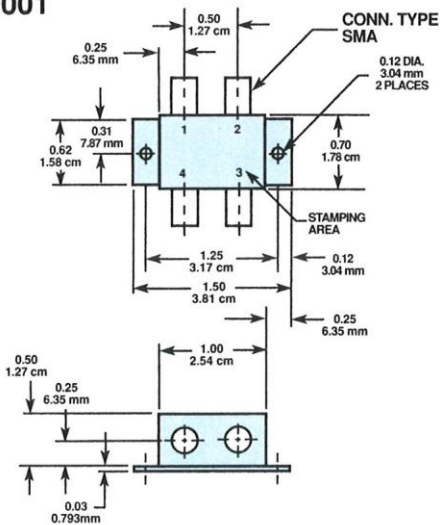
PERFORMANCE

Frequency Range.....	10 - 400 MHz
Isolation.....	25 dB min
Insertion Loss	1.25 dB max
VSWR.....	1.3:1 max
Phase Balance	$\pm 2^\circ$ max
Amplitude Balance	± 0.2 dB max
Impedance.....	50 Ohms
Power Handling.....	3 Watts max
Operating Temperature Range.....	-54 to +85° C

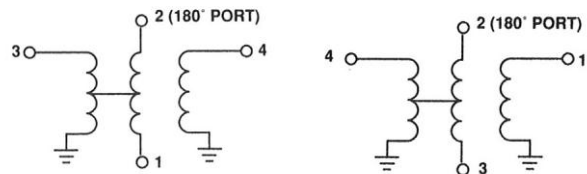


MECHANICAL OUTLINE

FH-40001



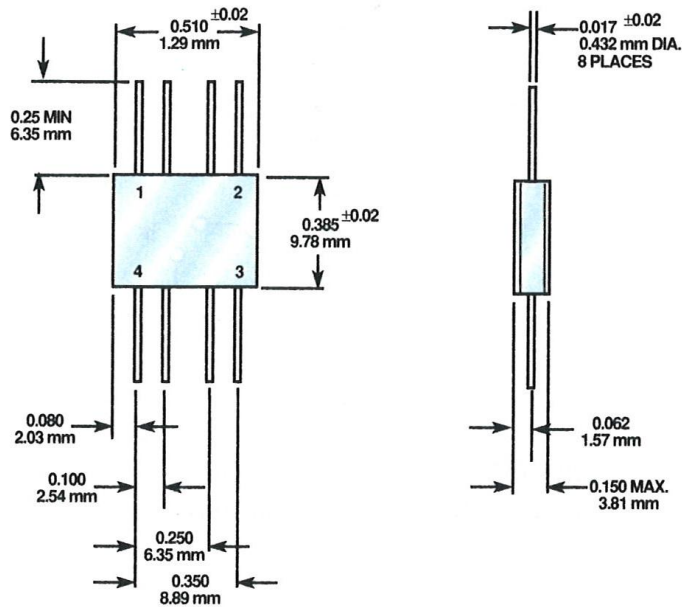
FUNCTIONAL SCHEMATIC



FH-40001/40002/40003 0°/180° HYBRIDS

MECHANICAL OUTLINE

FH-40002



FH-40003

